

# SD905 IPC-A Standard Version

Adopting a high-strength aluminum fin heat dissipation shell and precision sheet metal box structure for stable performance and strong impact resistance. Modular industrial design with H610 chipset and Intel's 12th generation Alder lake-S series independent CPU, supporting multi-tasking and high-load computing. Rich I/O expansions make it widely applicable in fields like industrial automation, machine vision, power communication, rail transit, and smart healthcare.

## Product Features >>

- Discrete CPU, supports Intel® 12th/13th/14th generation Core™ i3/i5/i7/i9 processors
- Rich I/O interfaces, USB\*6, COM\*4 and 16bit isolated GPIOs
- Pull-out hard disk design for easy storage expansion, maintenance and upgrading
- Modularized industrial design, more convenient for expansion and upgrading
- 8K+4K three-screen simultaneous display/disperate display, 1\*DP+1\*HDMI and 1\*VGA

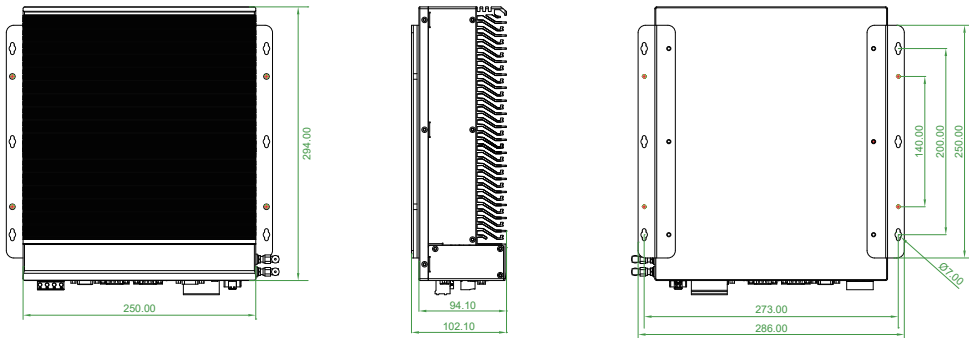


intel CPU	9V-36V	-20°C - 70°C	Fanless cooling	Rich interfaces	24H operation

## Model >>

Model	SD905
Processor	I3-12100, I5-12400, I7-12700, I9-12900 CPU

## Dimension >>



## Installation >>

<p>Recommended</p>	<p>Recommended</p>	<p>Recommended</p>
Wall-mounted	Desktop	Rack mount

## Product Parameter >>

### Configuration

CPU	Intel® Alder lake-S 12th Gen Core™ i9/i7/i5/i3/Pentium/Celeron LGA1700 CPU
	CPU Model: I3-12100, I5-12400, I7-12700, I9-12900 (Upgradeable to 13th/14th generation discrete CPU)
Memory (RAM)	Standard 16GB, Support 2*262-Pin SODIMM, dual-channel DDR5 4800MHz, max 64GB
Hard Disk Storage	Standard 500GB SSD 2*2.5" SATA3 easy-plug HDD cages, high-capacity 15mm thickness HDD, supports up to 6Gbps transfer speeds 1*Full-length mSATA with SATA3.0, supports up to 6Gbps transfer rate
Operating System	Windows 10/11, Linux/Ubuntu/Redhat/Debian Options
Cooling System	Fanless copper tube cooling

### Other Parameter

Power Supply	DC IN 9-36V(Support upgrade to 20~60V wide voltage power supply)
Power Consumption	≤150W
Power Adapter	DC 24V adapter (Optional, support upgrade to AC 220V built-in switching power supply)
Operating Temperature	-20°C~70°C
Storage Temperature	-30°C~80°C
Reliability Testing	Anti-static design, anti-surge design
Bare Weight	6.34KG
Dimension	250mm*294mm*102mm
Material	SGCC galvanized sheet, aluminum alloy
Color	Silver + Dark Blue
Installation	Wall-mounted, desktop, rack-mounted

### I/Os Parameter

USB	3*USB3.0, 3*USB2.0, 4*USB2.0 pins (built-in)
Ethernet	2* RJ45 Ethernet (1000 Mbps + 2500 Mbps)
Serial Port	4*COM Upgradeable to 6*COM (2*232/422/485 COM1,COM2 switchable by BIOS setting 4*232/485 switchable by jump cap)
Display Interface	DP*1, HDMI*1, VGA*1
GPIO	16-channel opto-isolated (can be upgraded with 16-channel non-isolated GPIOs)
Extended Interface	/
Wi-Fi/Bluetooth	1*M.2 support Key-E interface WiFi/Bluetooth module
4G/5G	1*M.2 support Key-B interface M.2 5G (3052/3042) module or M.2 4G (3042) module
Audio	Realtek ALC897 audio, 1*Line out and 1*MIC high fidelity audio, support 5.1 channels
Buttons/Indicators	1* Power Button w/LED, 2-Pin Phoenix Terminal Remote Switch, AT-ATX DIP Switch, Clear Cmos DIP Switch

## I/O Ports >>

